

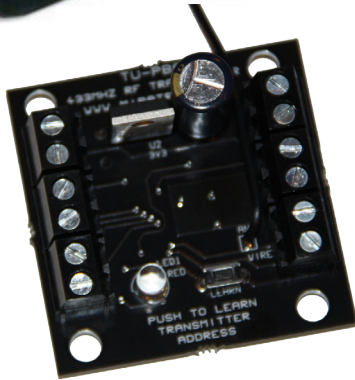


MICRO LINK Series Short Range Radio Remote Control

Keyfob, Compact handheld, and OEM module



NEW



FEATURES

- **Compatible**
New improved TU series transmitters are fully compatible with most popular Miratron receivers (Specify "U" receiver frequency option.)
- **Low Cost**
Economical way to add radio control to simple, cost-sensitive applications.
- **Flexible**
Compact belt-clip transmitter, keyfob, and OEM modules available.
- **License Free**
Pre-certified FCC - no license required.
- **Flexible**
Fully programmable logic can be implemented in compatible receivers.

ORDERING INFORMATION

PART #	DESCRIPTION
TU-KF2	Keyfob transmitter, 2-button
TU-KF4	Keyfob transmitter, 4-button
TU-CT8	Compact transmitter, 8-button
TU-PB8	OEM transmitter module, 8 pushbutton inputs

OPERATION

Radio Operation (TU-PB8)

Accepts up to 8 user provided pushbutton inputs. Very low-current operation from 12-volt DC power supply.

Coding

Each unit is factory shipped with a unique random radio address to prevent other radio transmitters from causing unwanted operation. The address can be changed in the field, and the receiver can learn a new transmitter address.

Changing Radio Address

1. Press the LEARN button on the keyfob, compact, or transmitter module.
2. When the LEARN button is pressed, the LED will light. The address will be randomized as long as the button is held down. When the button is released, the address is saved, and the LED will flash to set user permissions.
3. Operate each transmitter function once. Press only one at a time.
4. Press the LEARN button again, or wait 17 seconds. The LED will go out, and the transmitter must now be introduced to the receiver.

APPLICATIONS

- Electric gate
- Roll-up door
- Tarper
- Signaling

Introducing New Transmitters to Receiver

Each receiver can learn the unique radio addresses of up to 40 transmitter modules or Miratron keyfobs. The receiver will only accept control commands from a transmitter that has been introduced by the following procedure:

1. Make sure power to the receiver is OFF.
2. Press and hold any function button on the transmitter.
3. Power receiver on while pressing a transmitter function button.
4. Release transmitter function button.

Indicators

LED lights when transmitter module is in address selection or user permission setting modes.

Mounting (TU-PB8)

2" x 2" bare circuit board module for integration into customer supplied enclosure or control panel. Installs with 4 x #6-32 screws. Terminal blocks provided for field wiring.

SPECIFICATIONS

General

Frequency	433.92MHz
Frequency Control	FM
Range	Keyfob transmitter: 20-50' outdoor line of sight Compact transmitter: 50-100' outdoor line of sight
RF Power	1mW, nominal
Battery Type (Keyfob/Compact)	3-volt lithium coin cell, CR 2032
RF Output (Keyfob)	Keyfob: Internal, Compact: External, TU-PB8: Wire

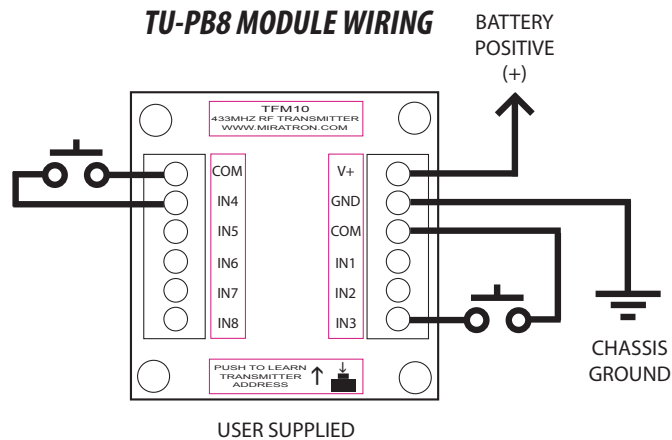
Dimensions (TU-PB8)

Overall	2.0" L x 2.0" W x 1" H
Mounting	#6 standoffs

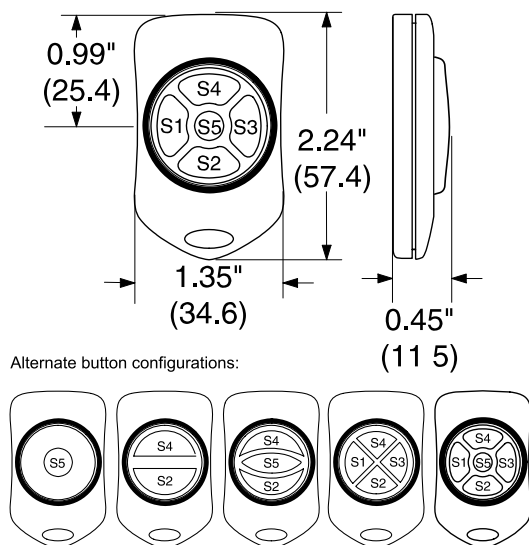
Environmental

Sealing (TU-PB8)	Not sealed. Customer supplied enclosure required.
Sealing (Keyfob/Compact)	Minimal environmental sealing.
Storage	-40°C to 85°C
Operating	-10°C to 60°C

"TU" SERIES TRANSMITTERS ARE COMPATIBLE WITH MIRATRON "RU" SERIES RECEIVERS



TU-KF2/KF4 DIMENSIONS



TU-CT8 DIMENSIONS

