



IRX30 Infrared Receiver Module

Converts a Miratron radio receiver into an IR receiver



FEATURES

- **High-Reliability**
Reliable wireless control - even in noisy radio environments.
- **Controlled Range**
Operates only from a safely controlled range.
- **Directional**
Requires operator to be facing equipment for maximum safety. 360 degree receiver field of view.
- **Wide regulatory acceptance**
Ideal for use in areas where radio control is not permitted.

OPERATION

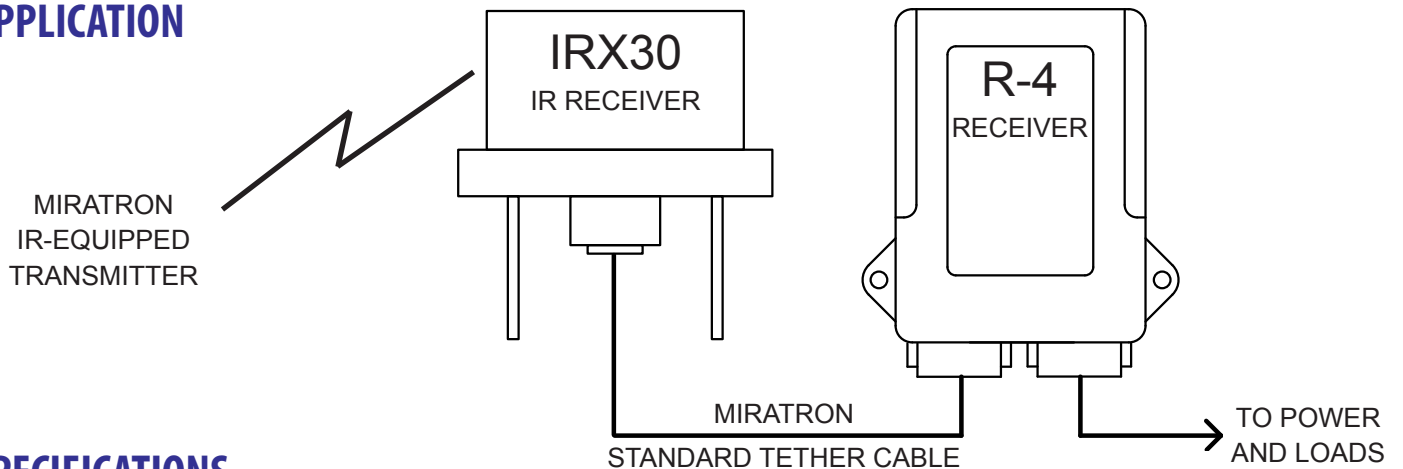
Receiver Operation

Connects directly to the tether jack on our most popular receivers. Compatible with all IR equipped Miratron transmitters.

ORDERING INFORMATION

PART #	DESCRIPTION
IRX30	Infrared receiver module

APPLICATION



SPECIFICATIONS

General	Power Requirement	Powered from receiver
IR	Wavelength	950nm infrared
	Range	50 feet, nominal
Field Wiring		Amphenol C-16 series connector, 4-conductor Connects directly to Miratron receiver tether jack
Enclosure		Tinted polycarbonate, NEMA 4X Approximate size: 3.85 diam x 2.3" h above mounting surface 4" recommended under mounting surface for wiring
Environmental	Storage	-40°C to 85°C
	Operating	-40°C to 60°C