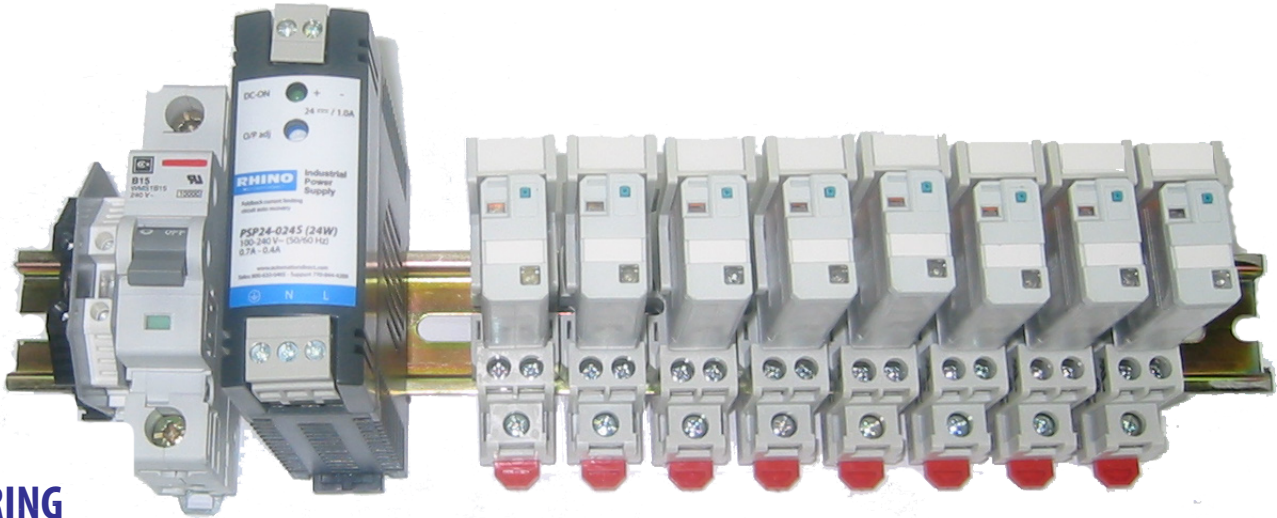


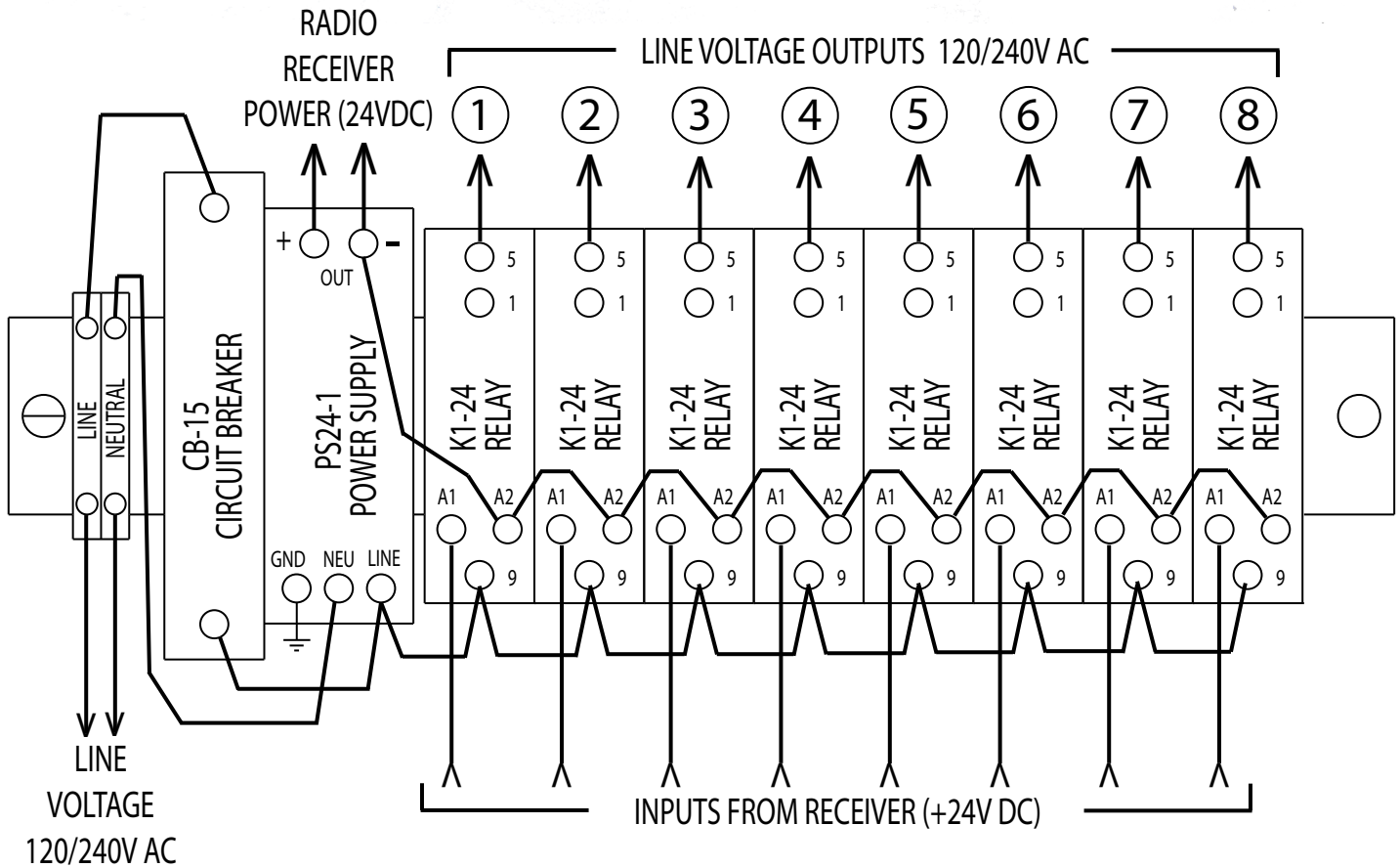


Application Note - AC Line Voltage

Using Miratron receivers for 120/240V AC line voltage applications



WIRING



ORDERING INFORMATION

PART #	DESCRIPTION
PS24-1	Power Supply, 24VDC, 24W, 85-264VAC Input
CB-15	Circuit breaker, 15A @ 120/240VAC
K1-24	Relay, 15A socket mounted w/LED and test button
K1-SKT	Socket for K1 relay

PART #	DESCRIPTION
TB-1	Terminal blocks: 1 each white, black, and end plates
DIN-12"	DIN rail, 12"
AC8-KIT	Kit consisting of 8 relays in sockets, power supply, circuit breaker, and terminal block kit mounted on DIN rail. Wiring not included.

SPECIFICATIONS

PS24-1

Power Supply

Output	24V DC, 24W (1 amp)
Input	85-264V AC
Approvals	UL508, 1950, CE
Mounting	DIN rail, 35mm

CB-15

Circuit Breaker

Type	Thermal Magnetic
Rating	15A @ 120/240V AC
Approvals	UL 1077, CSA 22.2, CE
Mounting	DIN rail, 35mm

K1-24

Relay

Contact	SPST (Form A) 15 amp, 1/2Hp @ 110/120VAC 12 amp, 1Hp @ 250VAC
Coil	24V DC, 0.7W
Features	Push to test button LED indicator
Mounting	Socket
Approvals	UL recognized , CE pending

K1-SKT

Socket

For use with K1 relay	
Mounting	DIN rail, 35mm

TB-1

Terminal blocks

Type	10AWG (Euro 4)
Rating	600V, 25A
Wire range	24-10AWG
Mounting	DIN rail, 35mm
Approvals	UL, CSA, CE



DANGER



WARNING

Failure to follow these instructions may result in death or serious injury.



Hazard of electrical shock, explosion, and arc flash



Disconnect, lock out and tag out all power supplies during installation and service



Automated equipment may start without warning

- Read, understand, and follow all instructions thoroughly.
- Only qualified electrical personnel should install this product.
- Follow ALL requirements in NFPA 70E for safe work practices when installing this product.
- The installer is responsible for following ALL applicable codes when installing this product.
- Use properly rated voltage sensing instrument to determine no voltage is present.
- This product is not intended for life-safety applications.
- Do not install in hazardous or classified locations.