



# TU-PB8 Compact Radio Module



## OPERATION

### Radio Operation

Accepts up to 8 user provided pushbutton inputs. Very low-current operation from 12-volt DC power supply.

### Mounting

2" x 2" bare circuit board module for integration into customer supplied enclosure or control panel. Installs with 4 x #6-32 screws. Terminal blocks provided for field wiring.

### Coding

Each system is factory shipped with a unique random radio address to prevent other radio transmitters from causing unwanted operation. The address can be changed in the field, and the receiver can learn a new transmitter address.

### Indicators

LED lights when transmitter module is in address selection or user permission setting modes.

### Changing Radio Address

1. Press the LEARN button next to the LED on the top of the transmitter module.
2. When the LEARN button is pressed, the LED will light. The address will be randomized as long as the button is held down. When the button is released, the address is saved, and the LED will flash to set user permissions.
3. Press each button wired to the transmitter module once. Press only one at a time.
4. Press the LEARN button again, or wait 17 seconds. The LED will go out, and the transmitter must now be introduced to the receiver.

### Introducing New Transmitters to Receiver

Each receiver can learn the unique radio addresses of up to 40 transmitter modules or Miratron keyfobs. The receiver will only accept control commands from a transmitter that has been introduced by the following procedure:

1. Make sure power to the receiver is OFF.
2. Press and hold any function button on the transmitter.
3. Power receiver on while pressing a transmitter function button.
4. Release transmitter function button.

## **IMPORTANT!**

Read this manual completely before operating system.

Keep this manual available for future reference.

Make sure the area is safe for operating equipment before turning power on or starting equipment.

If you encounter any problem or malfunction, discontinue use immediately, and contact your equipment dealer for service or replacement parts.

## **CAUTION**

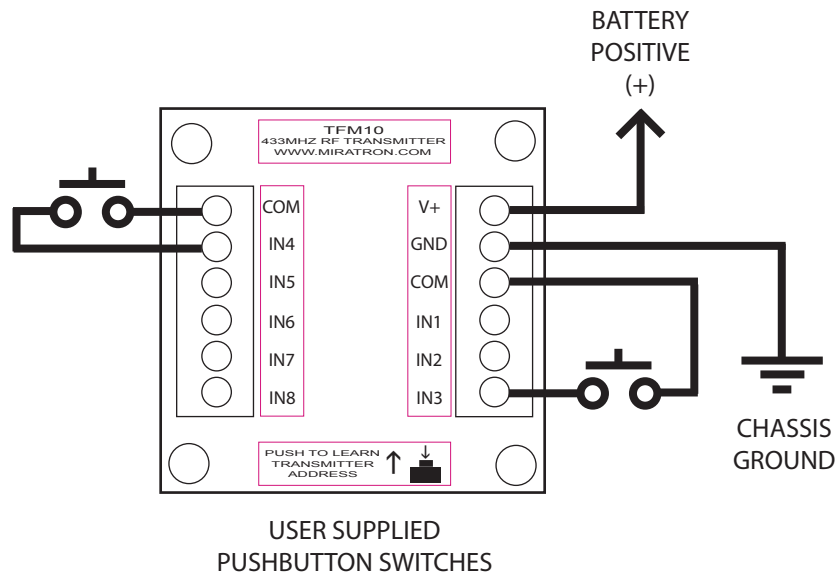
Improper operation of these controls could cause damage to equipment. Do not allow anyone to operate this equipment before completely reading all manuals.

## **NOTICE**

Miratron, Inc. controls are not intended for life or safety applications. Miratron, Inc. shall not accept responsibility for installation, application, or safety of machine or systems which utilize miratron, Inc. controls.

# SPECIFICATIONS

<b>Transmitter</b>	Power Requirement	12vdc, 50mA max
	Frequency	433.92MHz
	Frequency Control	FM
	Range	50-100' outdoor line of sight
	RF Power	1mW, nominal
	Antenna	Built-in wire whip (consult factory for options)
<b>Dimensions</b>	Field Wiring	Terminal blocks
	Overall	2.0" L x 2.0" W x 1" H
	Mounting	#6 standoffs
<b>Environmental</b>	Sealing	Not sealed. Customer supplied enclosure required.
	Storage	-40°C to 85°C
	Operating ambient temperature	-10°C to 50°C



## TERMINAL BLOCK WIRING:

V+	12V BATTERY POS (+)
GND	CHASSIS GROUND / BATTERY NEG (-)
COM	COMMON CONNECTION TO USER SWITCHES
IN1-IN8	INPUT FROM USER SWITCHES