



TZM10/RZM10 Compact Radio Modules

Radio remote control modules with 2 analog/proportional channels



OPERATION

Transmitter:

TZM incorporates a long range 2.4GHz FHSS radio for up to 300 feet range outdoor line of sight.

Excitation voltage output provided (5VDC @ 500mA max) for use with switches, potentiometers, or joysticks.

E-Stop input (EMS) accepts normally closed switch. EMS input must be connected to +5V terminal to enable receiver outputs. Opening EMS connection sends signal to receiver to de-energize outputs.

Receiver:

Solid state outputs source up to 5-amps. Proportional PWM current output, or bang-bang operation.

Receiver outputs are de-energized if transmitter signal is lost for more than 1/2 second.

Learn mode:

Receiver can "learn" a new transmitter in the field. Consult factory for specific learn procedure.

IMPORTANT!

Read this manual completely before operating system.

Keep this manual available for future reference.

Make sure the area is safe for operating equipment before turning power on or starting equipment.

If you encounter any problem or malfunction, discontinue use immediately, and contact your equipment dealer for service or replacement parts.

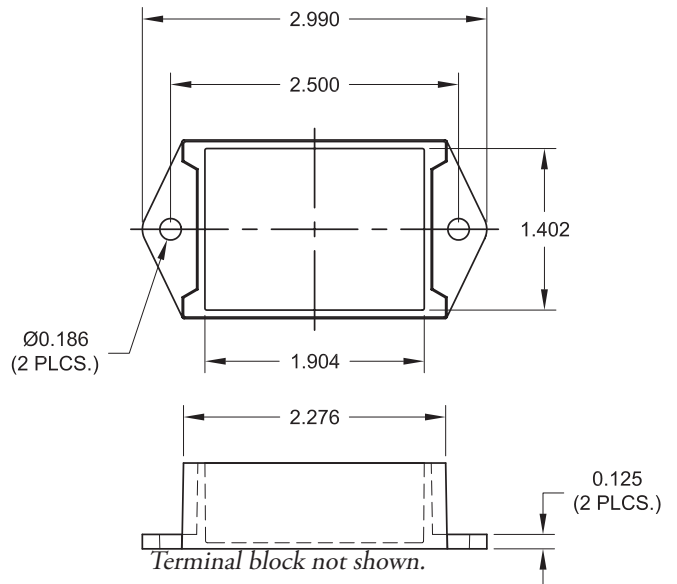
CAUTION

Improper operation of these controls could cause damage to equipment. Do not allow anyone to operate this equipment before completely reading all manuals.

NOTICE

Miratron, Inc. controls are not intended for life or safety applications. Miratron, Inc. shall not accept responsibility for installation, application, or safety of machine or systems which utilize miratron, Inc. controls.

DIMENSIONS



SPECIFICATIONS

Transmitter	Inputs	2 analog or digital (0-5vdc); 1 E-Stop (EMS)
	Frequency	2.4-2.4835GHz, Unlicensed ISM band
	Modulation	ZigBee™ 802.15.4
	Range	300' line of sight
	RF Power Output	60mW, nominal
	Power	12VDC, 100mA max.
	Led Indicator	Flashing or Solid (application specific) = normal
Enclosure	ABS Potted module, 3.0" L x 1.6" W x 1" H	
Environmental	Storage	-40°C to 85°C
	Operating	-10°C to 60°C

Receiver	Power Requirement	12vdc, 100mA nominal + power to loads
	Fuses	Customer-supplied fuse should be installed in field wiring
	Outputs	2 proportional PWM current (can be used as on/off) 5-amps Max.
	Dropout delay	1/2 second

Enclosure	ABS Potted module , 3.0" L x 1.6" W x 1" H	
Environmental	Storage	-40°C to 85°C
	Operating	-10°C to 60°C

WIRING

