



MOTOR LINK Keyfob Remote Motor Controller

Direct remote control of DC gear motor or linear actuator up to 25 amps!



OPERATION

Radio Operation

2 button keyfob controls 2 or 3 wire reversible DC gear motors or linear actuators in both directions.

Manual Override

A single-pole, double-throw (SPDT) switch can be connected to the override input. This input terminal provides a low-power control signal, so the override switch does not switch the full motor current. When the override switch is in use, the radio remote control is temporarily disabled for safety.

Coding

Each system is factory shipped with a unique random radio address to prevent other radio transmitters from causing unwanted operation. The address can be changed in the field, and the receiver can learn a new transmitter address.

APPLICATIONS

- Electric gates
- Roll-up doors
- Tarpers
- Linear actuator motors

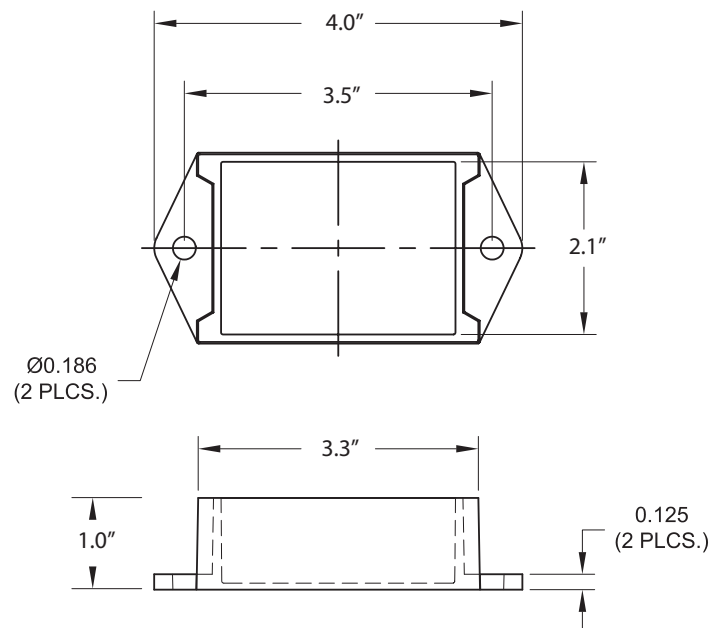
ORDERING INFORMATION

PART #	DESCRIPTION
ML433-KF2	Keyfob transmitter, 2-button
RFM10-MOT	Receiver module with motor control output and override input

FEATURES

- **Rugged, Compact Receiver**
Fully encapsulated receiver withstands harsh environments. Small package fits easily in tight spaces.
- **High-Capacity Solid-State Output**
Directly controls DC gear motors up to 25 amps. 100% solid state output. No mechanical relays to wear out. Controls 2 or 3 wire motors in forward and reverse.
- **Manual Override**
Terminal provided for manual override switch. Low-power operation compatible with a wide range of low-current single pole switches. Smart override input temporarily overrides radio control for increased safety.
- **Coded Signal**
Remote signal is coded to prevent unwanted control by other radio transmitters. Receiver can automatically learn new replacement transmitters as needed.
- **Status Indicators**
LED's provided for easy setup and troubleshooting.
- **License Free**
Pre-certified FCC. No end-user license required.

DIMENSIONS

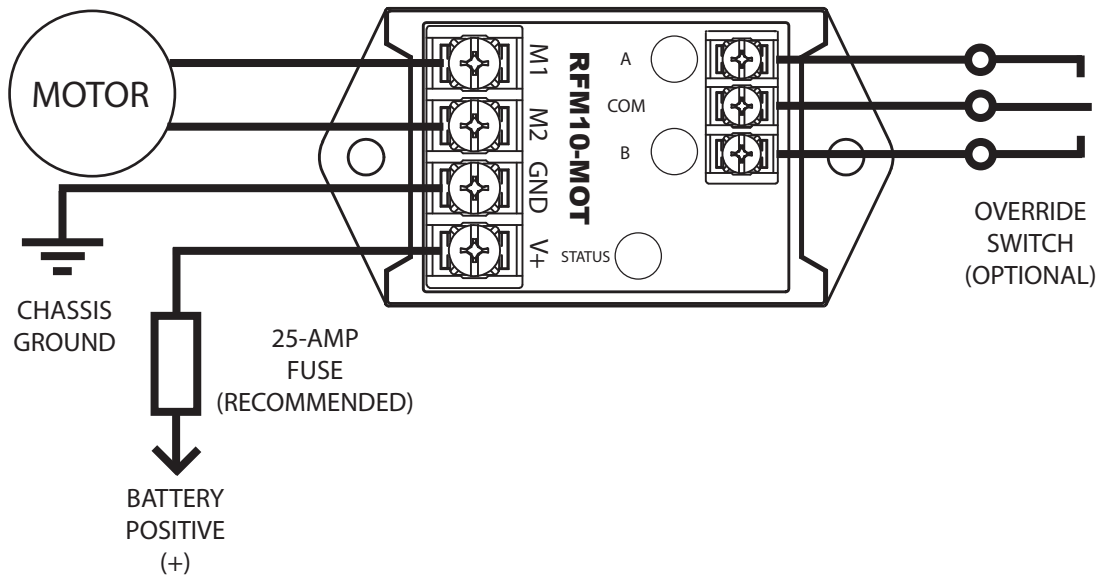


Terminals (not pictured) add additional height.

SPECIFICATIONS

Transmitter	Frequency	433MHz
	Frequency Control	FM
	Range	Keyfob transmitter: 50-100' outdoor line of sight
	RF Power	1mW, nominal
Receiver	Battery Type	3-volt lithium coin cell, CR 2032
	Power Requirement	12vdc, 50mA max plus motor load current
	Antenna	Built-in, (external option)
	Output type	25-amp, Solid state
Dimensions	Field Wiring	Terminal blocks
	Overall	4.0" L x 2.1" W x 1" H
Environmental	Mounting	Molded-in mounting tabs. Hardware included.
	Sealing	Potted electronic module
	Storage	-40°C to 85°C
	Operating ambient temperature	-10°C to 50°C

WIRING



TERMINAL BLOCK LABELS:

- M1 MOTOR, 20 AMPS MAX.
- M2 MOTOR, 20 AMPS MAX.
- GND CHASSIS GROUND / BATTERY NEG (-)
- V+ 12V BATTERY POS (+)

- A SWITCH (POSITION 1)
- COM SWITCH POLE/Common
- B SWITCH (POSITION 2)