



TZM10/RZM10 Compact radio modules

Radio remote control modules with 2 analog/proportional channels



The TZM10/RZM10 is a simple, cost-effective way to add wireless control to almost any equipment.

OPERATION

Transmitter:

TZM incorporates a long range 2.4GHz FHSS radio for up to 300 feet range outdoor line of sight.

Excitation voltage output provided (5VDC @ 500mA max) for use with switches, potentiometers, or joysticks.

E-Stop input (EMS) accepts normally closed switch. EMS input must be connected to +5V terminal to enable receiver outputs. Opening EMS connection sends signal to receiver to de-energize outputs.

Receiver:

Solid state outputs source up to 5-amps. Proportional PWM current output, or bang-bang operation.

Receiver outputs are de-energized if transmitter signal is lost for more than 1/2 second.

Learn mode:

Receiver can "learn" a new transmitter in the field. Consult factory for specific learn procedure.

FEATURES

■ Low Cost

Economical way to add radio control capability to a wide range of equipment.

■ Flexible

Operates one or two valve coils for speed and direction control.

■ Proportional Control

High-resolution solid-state output(s) for fine control of loads up to 5-Amps DC

■ Compact Size

Only 1.6" wide - Fits easily in tight spaces.

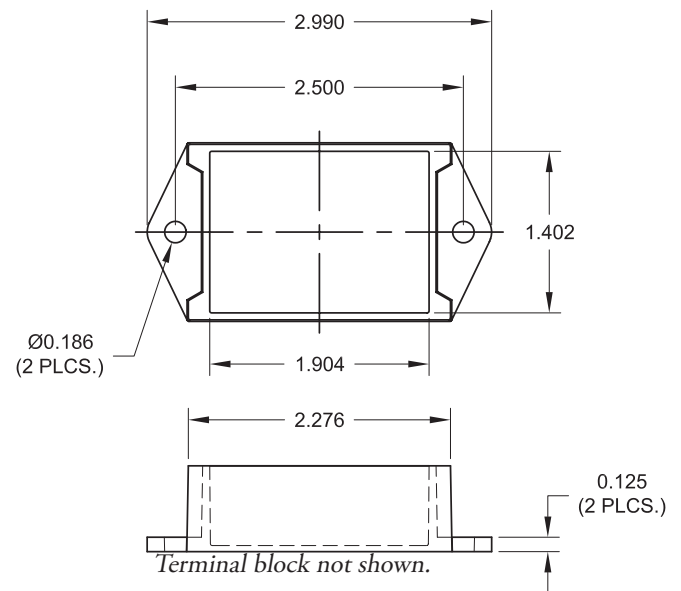
■ Rugged Construction

Robust potted module keeps electronics protected.

■ License Free

Pre-certified FCC - no license required.

DIMENSIONS



ORDERING INFORMATION

PART #	DESCRIPTION
TZM10	Transmitter module, 2.4GHz, 300 ft. range
RZM10	Receiver module, 2.4GHz, 300 ft. range

SPECIFICATIONS

Transmitter	Inputs	2 analog or digital (0-5vdc); 1 E-Stop (EMS)
	Frequency	2.4-2.4835GHz, Unlicensed ISM band
	Modulation	ZigBee™ 802.15.4
	Range	300' line of sight
	RF Power Output	60mW, nominal
	Power	12VDC, 100mA max.
Enclosure		Flashing or Solid (application specific) = normal
Environmental		ABS Potted module, 3.0" L x 1.6" W x 1" H
	Storage	-40°C to 85°C
	Operating	-10°C to 60°C

Receiver	Power Requirement	12vdc, 100mA nominal + power to loads
	Fuses	Customer-supplied fuse should be installed in field wiring
	Outputs	2 proportional PWM current (can be used as on/off)
	Dropout delay	1/2 second
Enclosure		ABS Potted module , 3.0" L x 1.6" W x 1" H
Environmental	Storage	-40°C to 85°C
	Operating	-10°C to 60°C

WIRING

