



PC20 Panel Mounted Proportional Control

Panel mounted proportional valve driver with integrated potentiometer



The PC20 makes fast and easy work out of designing and assembling valve control panels.

OPERATION

Controller provides proportional PWM or ratiometric output(s) up to 5-Amps from the position of a built-in potentiometer.

The PC-20 can be field programmed to operate in single-coil or dual-coil mode.

In single-coil mode, the built-in potentiometer controls a single proportional output over the full mechanical range of the knob.

In dual-coil mode, Output 1 is controlled from the center position of the knob to the fully CW position, and Output 2 is controlled from the center position of the knob to the fully CCW position.

SINGLE OUTPUT
SPEED CONTROL



DUAL OUTPUT
SPEED / DIRECTION CONTROL



The minimum/maximum output settings, and ramp up/down times are fully programmable in the field for single and dual-coil operation.

Field programming is accomplished using only 2 pushbuttons and the control knob. See operation manual for complete programming instructions.

FEATURES

Easy Installation

Built in potentiometer reduces wiring and simplifies installation. Installs directly on control panel with only 2 screws. Knob, panel seal, hardware, and centering spring (optional) included.

Easy Setup

Pushbutton "teach" feature simplifies setup of min/max output adjustment and ramp up/down time. No PC, PDA, or other tools needed.

Flexible

Operates one or two valve coils for speed and direction control. Version available for ratiometric valve actuators.

Proportional Control

High-resolution solid-state output(s) for fine control of loads up to 5-Amps DC

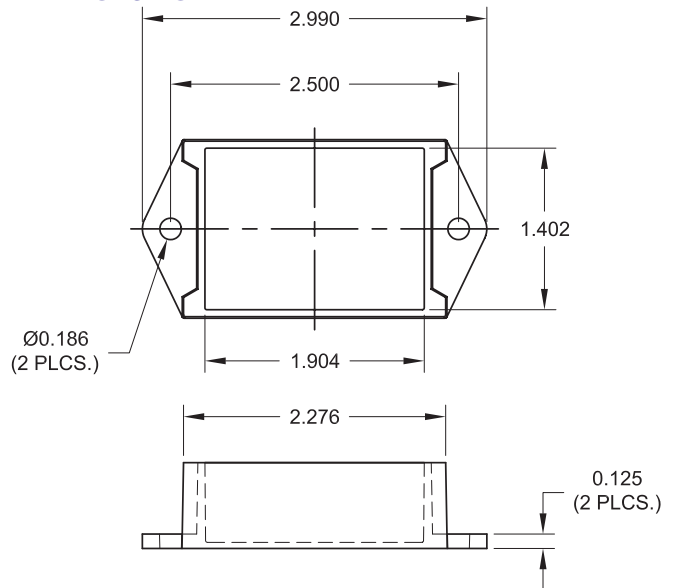
Compact Size

Only 1.6" wide - Fits easily in tight spaces. Ideal building block for control panels.

Rugged Construction

Robust potted module keeps electronics protected. IP65 environmentally rated pushbuttons and potentiometer.

DIMENSIONS



Knob and panel seal not shown.

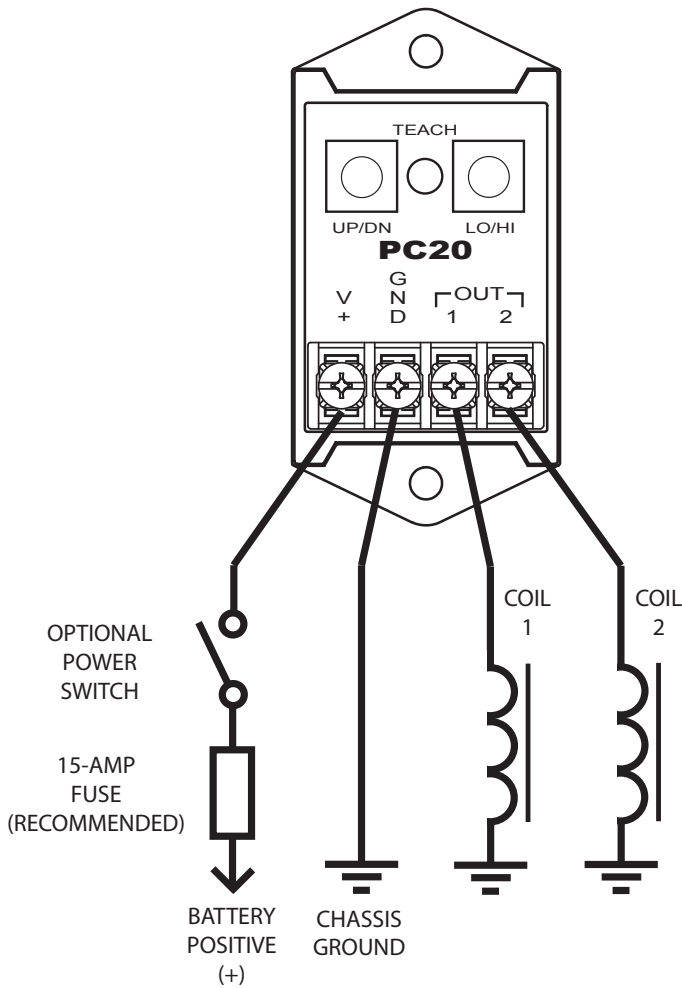
ORDERING INFORMATION

PART #	DESCRIPTION
PC20	Proportional Controller, Single/Dual valve speed/direction control

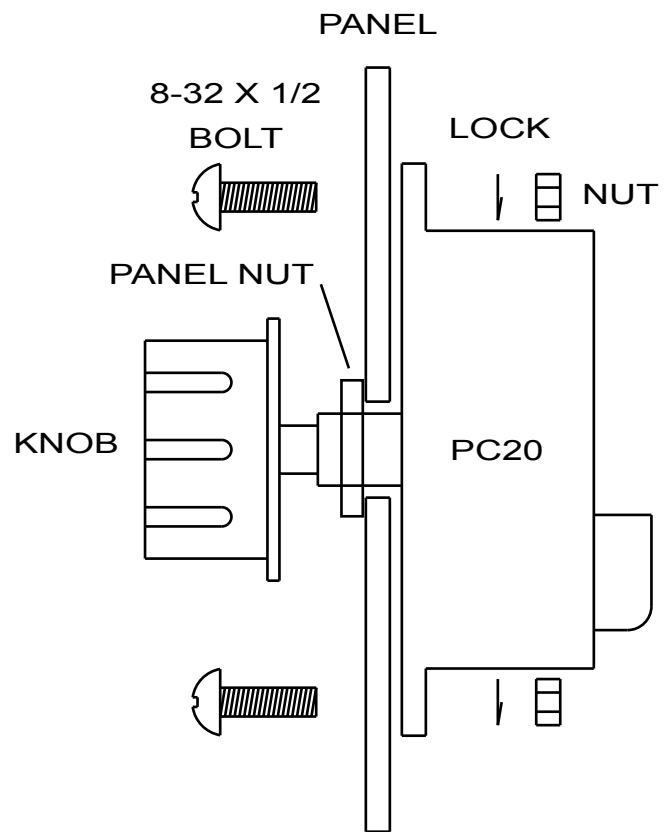
SPECIFICATIONS

General	Power requirement	9-30vdc, 50mA nominal + power to loads
Outputs	PWM Frequency	200Hz
	Dither	Fixed
Input	PWM current	0 to supply voltage, 5-amps max
	Adjustments	Min/Max: 0 to V+ Ramp up/down
	Deadband	Built-in 10 degree deadband around neutral position
Dimensions	Potentiometric	Controlled by built-in potentiometer
	Overall	3.0" L x 1.6" W x 1" H (behind panel depth)
Environmental	Mounting	2 x #8-32 X 1/2" machine screws
	Storage	-40°C to 85°C
	Operating	-10°C to 60°C

WIRING



INSTALLATION



	OUT 1	OUT 2
SINGLE	Proportional output - Clockwise from neutral	Not used.
DUAL	Proportional output - Clockwise from neutral	Proportional output - Counterclockwise from neutral